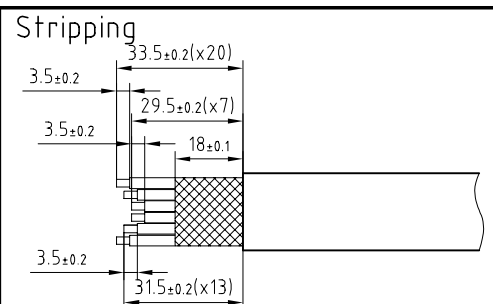
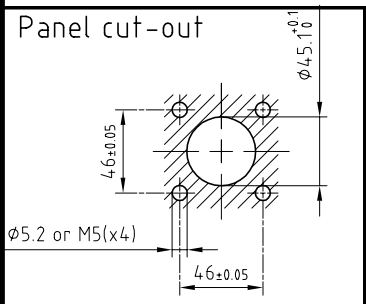


Outer shell	: Stainless steel (AISI304)	-
Collet nut + clamps + screw	: Stainless steel (AISI304)	-
Insulator	: PEEK	-
Female contact	: Bronze (UNS C54400)	Gold plated (ISO 4523)
Clip	: Stainless steel (AISI416)	-
Gland	: EPDM	-
Other outer metallic parts	: Stainless steel (AISI304)	-
Other inner metallic parts	: Brass (UNS C38500)	Nickel plated (FS-QQ-N-290A)
O-rings	: EPDM	-
Marking strip	: Epoxy paint	Black



Fixed socket with square flange , 4 screws fixing ,
with cable clamps .
Series 5N , multipole (40)

Echelle	Dessiné	05.07.05	OVU / RMO
	Contrôle	05.07.05	RMO / CDE
	Modif.	00	05.07.05 / OVU

ETUDE N°



PBG.5N.340.TLLY__